



**Heli-One**  
Excellence in Helicopter  
Maintenance Services

# H225 SAR OPTIONS



# EASA & TCCA APPROVED SOLUTIONS



SAR CABIN CONFIGURATION INCLUDING EQUIPMENT WALL

Heli-One has developed a variety of SAR-targeted modifications for the H225 (adaptable to AS332/ H215). These modifications have been developed in collaboration with working crews and have been certified by EASA and TCCA.



SAMPLE MEDICAL WALL WITH EQUIPMENT

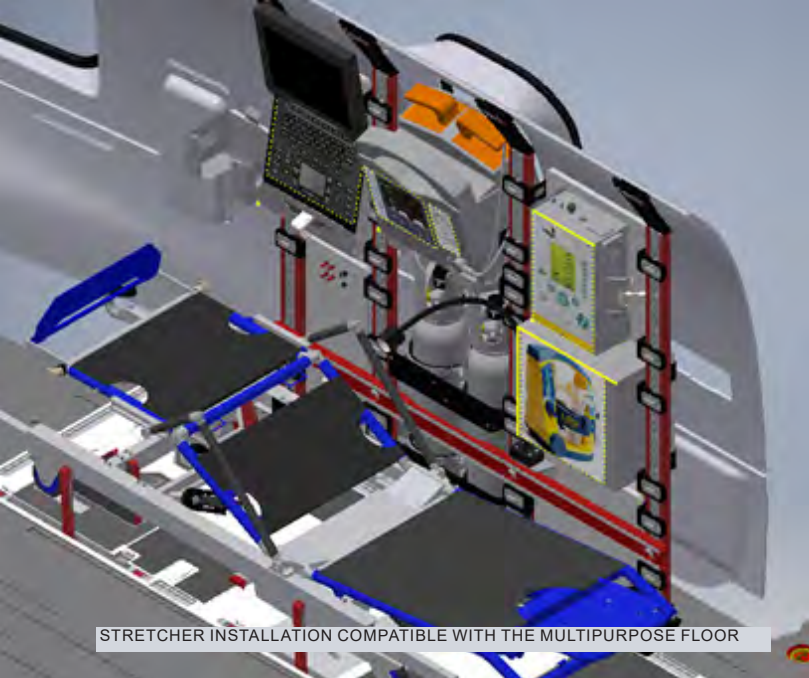


EXTERNAL CAMERAS FOR ADDED SITUATIONAL AWARENESS

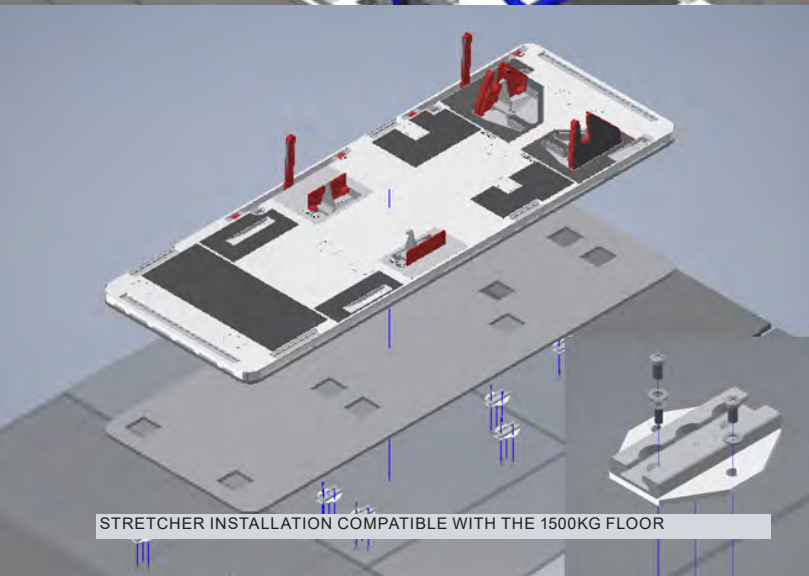
## MODIFICATION

## DESCRIPTION

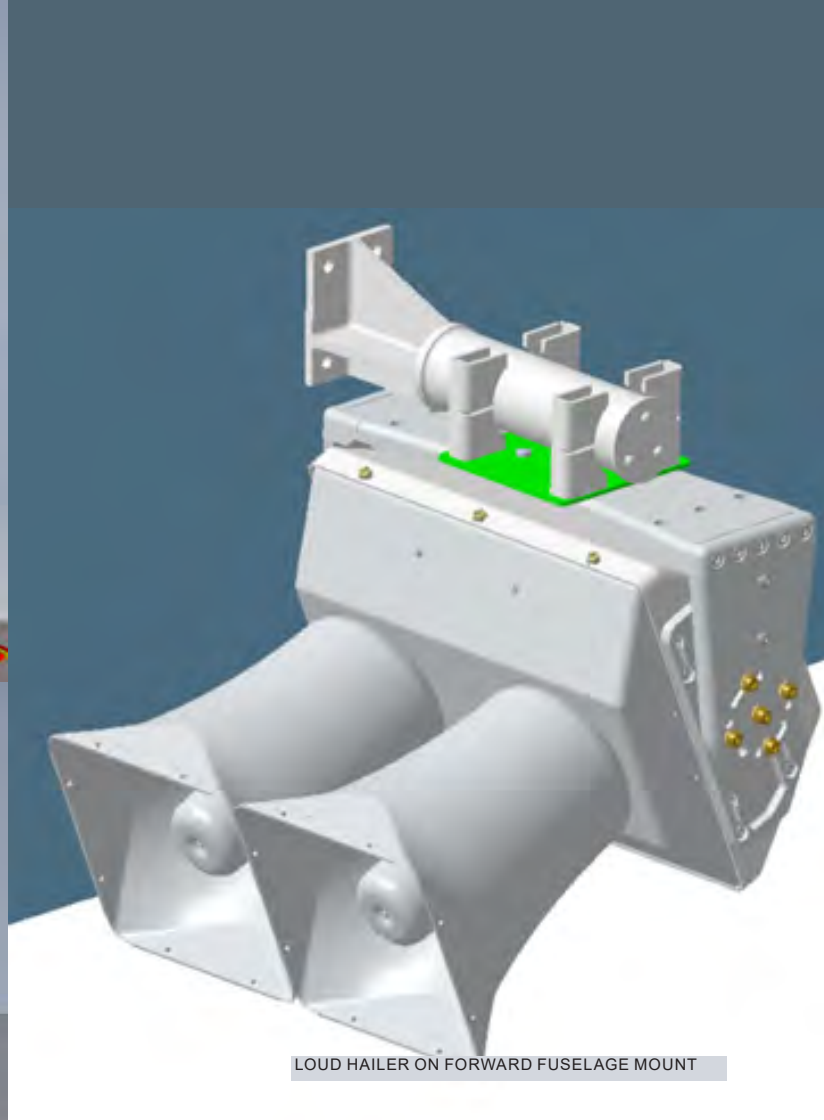
MODIFICATION	DESCRIPTION
<b>MEDICAL EQUIPMENT WALL</b>	Modular wall structure that features tool-free installation and reconfiguration of medical equipment provisioning.
<b>STRETCHER INSTALLATION</b>	Stretcher plate that is compatible with both H225 floor types (Multipurpose or 1500kg) allowing for stretcher use across different aircraft.
<b>MEDICAL EQUIPMENT RACK</b>	Portable medical equipment unit that fits in a crew seat for ad hoc use.
<b>INFRARED CAMERA</b>	Externally mounted cameras for additional situational awareness.
<b>MULTIPURPOSE HOOK</b>	Multipurpose hook or securing provision that attaches to the floor and secures objects such as stretchers and cargo.
<b>HORIZONTAL GRAB HANDLE</b>	Handle for quick and easy access to aircraft in dynamic situations.
<b>LOUD HAILER</b>	External public address system that can be fitted in the sponson or fuselage.



STRETCHER INSTALLATION COMPATIBLE WITH THE MULTIPURPOSE FLOOR



STRETCHER INSTALLATION COMPATIBLE WITH THE 1500KG FLOOR



LOUD HAILER ON FORWARD FUSELAGE MOUNT

## STRETCHER SOLUTION

Heli-One has developed a stretcher installation solution compatible with both multipurpose and 1500kg floors. This solution is designed to accommodate ergonomic handling of the stretcher where flexibility and urgency is a priority. The positioning of the stretcher allows for quick adjustment, patient comfort, and transportation best practices.

- Low installation time & can be done by minimal crew
- Designed for different offset positions, giving crew the flexibility to adjust to optimal position.
- Certified for the Ferno Alfa stretcher

## SAR CABIN CONFIGURATION

Heli-One developed a SAR cabin configuration that is modular in format which allows for maximum crew customization and efficiency. The modular medical wall accommodates equipment that can be reconfigured quickly and to the crew's optimal placement.

- Modular medical equipment wall - accommodates tools such as: defibrillator, oxygen systems, suction units, health monitoring technology.
- Main stretcher installation with easy sliding and locking mechanism
- Storage solutions (for trauma bags, additional equipment, etc)



# H225 EXPERTISE

Heli-One has extensive experience supporting the H225 platform and the Super Puma family of Airbus helicopters. Heli-One offers airframe, major component, avionics, rescue equipment, and Design services. Other services include Storage, Return-to-Service, reconfigurations, and other critical tasks related to becoming airworthy. The two Heli-One Design teams have also developed hundreds of Major, Minor, and repair modifications for the Super Puma family that can be adapted to the H225.

## MODIFICATIONS THAT ARE COMPLIMENTARY TO SAR CABINS INCLUDE:

- Night Vision Goggle Installations & Night Vision
- Imaging System
- Sea Trays
- Multi-Mission Flight Management Systems
- Search Lights
- Hoists & Hoist Cameras
- Direction Finder
- Custom flight deck upgrades
- FLIR Installation
- Traffic and Terrain Warning Systems

